



510 Madera Ave
San Jose, CA 95112
(408) 993-1900
Fax (408) 993-1944

Dear HomeGuard customer,

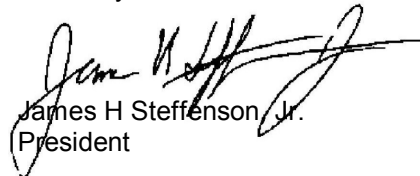
Thank you for selecting HomeGuard Incorporated to perform the termite inspection on your home.

It is very common for corrective work to be recommended. Enclosed you will find the inspection report that includes the findings, repair recommendations and prices to complete the repairs. Now that you have allowed us to do the inspection, we would like to point out the advantages of authorizing HomeGuard Incorporated to complete the recommended repairs.

- When HomeGuard completes the repairs, there are no additional reinspection costs. Only a licensed structural pest control company can issue a **certification** that the property is free and clear of active infestations or infection.
- HomeGuard Incorporated's bids are competitive with professional companies and all of our work is guaranteed.
- HomeGuard Incorporated's repair technicians are experts and we guarantee high quality repairs.
- HomeGuard Incorporated is sensitive to the special demands on you when a real estate transactions is involved. We make scheduling easy. We work with your Realtor, lender and title company to expedite all required paperwork.
- With HomeGuard Incorporated, you are protected. Unlike many contractors or handymen, we maintain liability insurance, errors and omissions insurance, and workman's compensation; thereby protecting you from potential lawsuits.

Please review the enclosed inspection and bids. We are available to discuss the findings and recommendations with you at your convenience. Satisfying your structural pest control needs in a professional and affordable manner is what separates HomeGuard Incorporated from the competition.

Sincerely Yours,



James H Steffenson, Jr.
President

WOOD DESTROYING PESTS AND ORGANISM INSPECTION REPORT

Building No. 627	Street Cayuga Drive	City San Jose	ZIP 95123	Date of Inspection 4/29/2010	Number of Pages Page 1 of 8
----------------------------	-------------------------------	-------------------------	---------------------	--	---------------------------------------



**510 Madera Ave
San Jose, CA 95112
(408) 993-1900 • Fax (408) 993-1944
Registration # PR1452**

HomeGuard Rpt #: **141469**

Ordered By: Steve Trotter Intero Real Estate 1900 Camden Avenue San Jose CA 95124	Property Owner/Party in Interest: John Calhoun 627 Cayuga Drive San Jose, CA 95123	Report Sent to: Escrow#: Robin Primeau Old Republic Title 2110 S. Bascom Avenue #102 Campbell Ca 95008
---	--	--

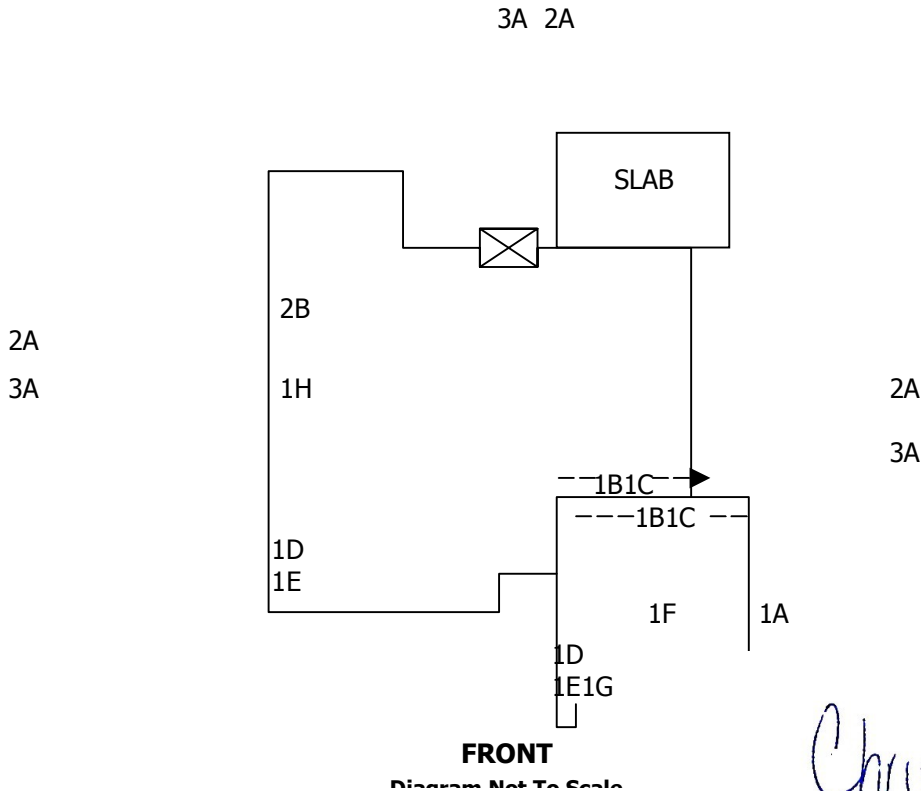
COMPLETE REPORT <input type="checkbox"/>	LIMITED REPORT <input checked="" type="checkbox"/>	SUPPLEMENTAL REPORT <input type="checkbox"/>	REINSPECTION REPORT <input type="checkbox"/>
--	--	--	--

General Description: One story, single family wood framed residence with wood, stucco and brick exterior. Limited to the main structure only, excluding the deck.	Inspection Tag Posted: Garage
	Other Tags Posted: None noted

An inspection has been made of the structure(s) shown on the diagram in accordance with the Structural Pest Control Act. Detached porches, detached steps, detached decks and any other structures not on the diagram were not inspected.

Subterranean Termites <input checked="" type="checkbox"/>	Drywood Termites <input checked="" type="checkbox"/>	Fungus / DryRot <input checked="" type="checkbox"/>	Other Findings <input checked="" type="checkbox"/>	Further Inspection <input checked="" type="checkbox"/>
If any of the above boxes are checked, it indicates that there were visible problems in accessible areas. Read the report for details on checked items.				

Key to Items on diagram: [1] Section 1 Items [2] Section 2 Items [3] Unknown Further Inspection Items



Chris Kremer

Inspected by: **Chris C Kremer** License#: **FR40968** Signature: _____

You are entitled to obtain copies of all reports and completion notices on this property filed with the board during the preceding two years. To obtain copies contact: Structural Pest Control Board, 2005 Evergreen Street, Suite1500, Sacramento, California 95815-3831.

NOTE: Questions or problems concerning the above report should be directed to the manager of the company. Unresolved questions or problems with services performed may be directed to the Structural Pest Control Board at (916)561-8700, (800) 737-8188 or www.pestboard.ca.gov.

Building No. 627	Street Cayuga Drive	City San Jose	ZIP 95123	Date of Inspection 4/29/2010	Number of Pages Page 2 of 8
----------------------------	-------------------------------	-------------------------	---------------------	--	---------------------------------------

AREAS NOT INSPECTED PLEASE READ.

We did not inspect the interior of finished walls or behind installed finished cabinet work. We did not inspect the areas immediately under furniture or appliances. This structure contains slab flooring, and in slab floor type construction, it is possible for Subterranean Termite infestations to be concealed and not evident at the time of our inspection; therefore, we assume no liability for any infestations that are not evident at the time of our inspection. Our inspection does not include inspection of the electric, heating, or mechanical systems of the structure. We did not inspect the roof covering for leakage. Our inspection will not detect building code violations. If any information is desired about any of these mentioned areas, a company which makes home inspections should be engaged. The plumbing was inspected, but only the leaks outlined in our report were found at this time. We assume no responsibility for leaks that occur after the date of this inspection. There may be health related issues associated with the findings reflected in this report. We are not qualified to and do not render an opinion concerning any such health issues. The inspection reflected by this report was limited to the visible and accessible areas only. Questions concerning health related issues, which may be associated with the findings or recommendations reflected in this report, the presence of mold, the release of mold spores or concerning indoor air quality should be directed to a Certified Industrial Hygienist. It has been requested by the agent that this report be limited to the main structure only, excluding the deck. It is recommended that the entire structure be inspected. HomeGuard Incorporated will, upon request, inspect the entire structure at an additional expense. As is standard practice within our industry and since our inspectors do not carry a 30' ladder on their truck, a portion of the eaves, wood siding and wood windows above 11' were only inspected visually. Upon request and at an additional charge HomeGuard Inc. will return to the property and further inspect these inaccessible areas by probing the wood members. The area under the water heater or furnace pedestal was not inspected. The area of the foundation concealed behind the stucco, brick or rock wall covering was inaccessible for inspection. There is no evidence of any infestations in this area; however, this could possibly conceal termite entry points. The inaccessible areas listed above which were not inspected will be inspected upon the owner's request and may be conditional to additional inspection fees.

"This company will reinspect repairs done by others within four months of the original inspection. A charge, if any, can be no greater than the original inspection fee for each reinspection. The reinspection must be done within ten (10) working days of request. The reinspection is a visual inspection and if inspection of concealed areas is desired, inspection of work in progress will be necessary. Any guarantees must be received from parties performing repairs."

NOTE: Work performed by others will be reinspected for a fee of \$175.00 for each trip out to the property. Open wall and open floor inspections are desirable if certification is required.

NOTICE: Reports on this structure prepared by various registered companies should list the same findings (i.e. termite infestations, termite damage, fungus damage, etc.). However, recommendations to correct these findings may differ from company to company. You have the right to seek a second opinion from another company.

NOTE: WE GUARANTEE ALL REPAIRS DONE BY THIS COMPANY FOR ONE YEAR AND FUMIGATIONS FOR A PERIOD OF 2 YEARS FROM THE DATE OF COMPLETION. WITH

Building No. 627	Street Cayuga Drive	City San Jose	ZIP 95123	Date of Inspection 4/29/2010	Number of Pages Page 3 of 8
----------------------------	-------------------------------	-------------------------	---------------------	--	---------------------------------------

THE EXCEPTION OF PLUMBING, GROUTING, CAULKING AND RE-SETTING OF TOILETS WHICH ARE GUARANTEED FOR 30 DAYS FROM THE DATE OF COMPLETION. WE CANNOT GUARANTEE WORK DONE BY THE OWNER OR OWNER'S AGENT. WE MAKE NO GUARANTEE AGAINST FUTURE INFECTIONS, ADVERSE CONDITIONS, OR CONDITIONS PRESENT BUT NOT EVIDENT AT THE TIME OF OUR INSPECTION.

NOTE: THIS IS A SEPARATED REPORT WHICH IS DEFINED AS SECTION I AND SECTION II CONDITIONS EVIDENT ON THE DATE OF INSPECTION. SECTION I CONTAINS ITEMS WHERE THERE IS EVIDENCE OF ACTIVE INFESTATION, INFECTION, OR CONDITIONS THAT HAVE RESULTED IN OR FROM INFESTATION OR INFECTION. SECTION II ITEMS ARE CONDITIONS DEEMED LIKELY TO LEAD TO INFESTATION OR INFECTION BUT WHERE NO VISIBLE EVIDENCE OF SUCH WAS FOUND. FURTHER INSPECTION ITEMS ARE DEFINED AS RECOMMENDATIONS TO INSPECT AREA(S) WHICH DURING THE ORIGINAL INSPECTION DID NOT ALLOW THE INSPECTOR ACCESS TO COMPLETE HIS INSPECTION AND CANNOT BE DEFINED AS SECTION I OR SECTION II.

Section 1 Items

1A. FINDING: Fungus damage was noted to the roof eaves as indicated on the diagram. (See Picture 1)

RECOMMENDATION: Remove and replace the damaged wood members to correct this condition. This bid includes replacement of the roof covering if disturbed by our repairs. If existing gutters need to be removed to perform the repairs then our bid also includes reinstallation of original gutters. If it becomes necessary or desirable to install new gutters this will be done only if authorized and at an additional cost. The guarantees on the roof covering are limited to the areas where the work was performed

***** (SECTION 1 ITEM) *****

1B. FINDING: Subterranean Termites have entered the structure from the earth fill under the garage slab and in the subarea adjacent to the garage. (See Picture 2) (See Picture 6)

RECOMMENDATION: Drill holes through the garage slab and inject Termidor SC (Fipronil:5-amino-1-(2,6-dichloro-4-(trifluoromethyl) phenyl)-4-((1,8,5)-trifluoromethyl)sulfinyl)-1-H-pyrazole-3-carbonitrile) into the earth below. We will be as careful as possible with our repair; however, we assume no responsibility for any damage to the surface covering the floor in the area to be treated. **NOTE:** In order to perform this treatment the property will need to be vacated for the period during and 3 hours after the treatment is performed.

***** (SECTION 1 ITEM) *****

1C. FINDING: There is evidence of Subterranean Termite migratory tubes as noted in the above recommendation. (See Picture 2) (See Picture 6)

RECOMMENDATION: Break down & brush away all termite migratory tubes.

***** (SECTION 1 ITEM) *****

Building No. 627	Street Cayuga Drive	City San Jose	ZIP 95123	Date of Inspection 4/29/2010	Number of Pages Page 4 of 8
----------------------------	-------------------------------	-------------------------	---------------------	--	---------------------------------------

1D. FINDING: Infestation by Drywood Termites was noted at the garage and subarea. (See Picture 3)

RECOMMENDATION: Due to the nature of these infestations, it will be necessary to seal the entire structure and fumigate it with Vikane (sulfuryl fluoride), using Chloropicrin as a warning agent. The entire structure must be vacant for this process. It is the owners responsibility to make any preparations required by the fumigators or to have someone to do so at a separate expense and to have the gas turned back on when the fumigation is complete. Due to current Cal OSHA Safety Standards work above 7.5 feet demands fall protection, this requires the installation of anchor points at the roof ridge line. HomeGuard will repair any damage caused by the installation of the anchor. However, in the case of metal roof coverings it is the owners responsibility to make areas on the roof ridge accessible to secure the anchors. HomeGuard Incorporated guarantees all fumigations for a period of two years.

***** (SECTION 1 ITEM) *****

1E. FINDING: Drywood termite pellets were evident as noted in the above recommendation. (See Picture 3)

RECOMMENDATION: Remove and/or mask over all accessible termite pellets. It is possible for the Drywood Termite pellets to sift down or reappear in these areas where they have been masked over.

***** (SECTION 1 ITEM) *****

1F. FINDING: We were unable to inspect the interior of the garage due to stored personal property and drywood termites and subterranean termites were noted. (See Picture 4)

RECOMMENDATION: The owner should move the storage away from the garage walls to allow for further inspection. All findings, recommendations, and bids will be issued in a supplemental report.

***** (SECTION 1 ITEM) *****

1G. FINDING: The wall stud has been damaged by drywood termites at the garage. (See Picture 3)

RECOMMENDATION: Remove and replace all the damaged wood members. If any damage is found to extend into any enclosed areas a supplemental report and bid will be issued.

***** (SECTION 1 ITEM) *****

NOTE: More damage may exist once the garage storage is removed. We recommend completing item 1F.

1H. FINDING: There is a surface fungus condition located under the bathroom at the subarea. (See Picture 5)

RECOMMENDATION: Scrape or wire brush this area and treat with a registered fungicide Timbor (Disodium Octoborate Tetrahydrate). NOTE: In order to perform this treatment the property will need to be vacated during and 3 hours after the treatment is performed.

***** (SECTION 1 ITEM) *****

Building No. 627	Street Cayuga Drive	City San Jose	ZIP 95123	Date of Inspection 4/29/2010	Number of Pages Page 5 of 8
----------------------------	-------------------------------	-------------------------	---------------------	--	---------------------------------------

Section 2 Items

NOTE: Ceramic tiles were noted over the kitchen, hall bathroom and master bathroom floors. There is no outward sign of infestation or infection however we cannot represent the condition of floors beneath the tiled areas.

2A. FINDING: Minor stress cracks were noted in the exterior stucco as indicated on the diagram.
RECOMMENDATION: Seal all cracks that are wider than 1/16 of an inch with a exterior grade paintable sealant. If HomeGuard has supplied a bid for this item it does not include paint.
***** (SECTION 2 ITEM) *****

2B. FINDING: There is a plumbing leak at the master bathroom shower head.
RECOMMENDATION: Reseal or repair this leak in the most practical way.
***** (SECTION 2 ITEM) *****

Further Inspection Items

3A. FINDING: This home was constructed without the use of a weep screed at the base of the stucco. Although this was an accepted construction method it does create an area that can allow subterranean termites to access the home without being detected. This area can also allow condensation to build up and not drain properly.
RECOMMENDATION: There is no evidence of any adverse condition at this time however if further information is desired it will be necessary to install a series of test holes to allow for further inspection. All findings recommendations and bids will be issued in a supplemental report.
***** (FURTHER INSP ITEM) *****

NOTE: "State law requires that you be given the following information:

CAUTION-PESTICIDES ARE TOXIC CHEMICALS. Structural Pest Control Companies are registered and regulated by the Structural Pest Control Board, and apply pesticides which are registered and approved for use by the California Department of Food and Agriculture and the United States Environmental Protection Agency. Registration is granted when the state finds that based on existing scientific evidence there are no appreciable risks that are outweighed by the benefits. The degree of risk depends upon the degree of exposure, so exposure should be minimized."

"If within 24 hours following application, you experience symptoms similar to common seasonal illness comparable to the flu, contact your physician or poison control center and your pest control company immediately."

For further information contact any of the following:
 HOMEGUARD INCORPORATED (408) 993-1900
 Poison Control Center: (800) 876-4766
 Santa Clara County Agricultural Commission (408) 918-4600
 Santa Clara County Health Department (408) 918-3400
 San Benito County Health Department (831) 637-5367
 San Benito County Agricultural Commission (831) 637-5344
 Alameda County Agricultural Commission (510) 670-5232
 Alameda County Health Department (510) 267-8000
 Contra Costa County Agricultural Commission (925) 313-6712
 Contra Costa County Health Department (925) 646-5137

Building No. 627	Street Cayuga Drive	City San Jose	ZIP 95123	Date of Inspection 4/29/2010	Number of Pages Page 6 of 8
----------------------------	-------------------------------	-------------------------	---------------------	--	---------------------------------------

San Mateo County Agricultural Commission (650) 363-4700
San Mateo County Health Department (650) 573-2757
Structural Pest Control Board (800) 737-8188
2005 Evergreen Street Ste. #1500, Sacramento, CA 95815-3831

"Local treatment is not intended to be an entire structure treatment method. If infestations of wood-destroying pests extend or exist beyond the area(s) of local treatment, they may not be exterminated".

NOTE: If damage is found to extend into any inaccessible areas, a supplemental report will be issued listing additional findings, recommendations and bids.

NOTE: Should the further inspection items noted in this report not be performed, HomeGuard Incorporated will assume no liability for any infestations or infection which may be concealed in these areas.

NOTE: HomeGuard Incorporated assumes no liability for, nor do we guarantee work done by others. All guarantees, warranties, and permits should be obtained from the parties performing the repairs.

NOTE: Thank you for using HomeGuard Incorporated. If you have any questions regarding this report, please call and ask for Chris Kremer. Please bear in mind that the inspectors have full schedules during the day and can only be reached by phone early in the morning and late in the afternoon. The inspector will make every effort to make contact with you when he is available.

If you require further assistance or wish to schedule work as recommended in this report, please feel free to contact our office. We are here to assist you!

Building No. 627	Street Cayuga Drive	City San Jose	ZIP 95123	Date of Inspection 4/29/2010	Number of Pages Page 7 of 8
----------------------------	-------------------------------	-------------------------	---------------------	--	---------------------------------------

Report Pictures:

Pictures are provided to assist in clarifying some of the findings made in this report. No relative importance should be placed on these pictures. There are likely to be significant comments that do not have pictures associated with them. The pictures in this report do not illustrate all of the damage associated with a particular item. Please read the report thoroughly and contact the inspector if you have any specific questions.



Picture 1



Picture 2



Picture 3



Picture 4



Picture 5



Picture 6

Fact Sheet for Vikane* (Sulfuryl Fluoride)

In the interest of DowElanco's commitment to product stewardship, this fact sheet is intended to provide basic information and how it is used. If you have additional questions about Vikane or the procedures described, call the DowElanco Customer Information Service at 1-800-352-6776.

WHY BUILDINGS ARE FUMIGATED

Insects that feed or tunnel into wood can seriously damage houses, apartments, and other dwellings or structures. Each year termites or other wood destroying insects damage approximately 2 million homes. Depending on the extent or location of the infestation, fumigation is the only total control method proven to eliminate certain infestation of wood destroying insects.

HOW BUILDINGS ARE FUMIGATED

Because Vikane is a gas, prior to fumigation the structure is completely sealed. This serves to contain Vikane in the building so it can penetrate wood thoroughly and eliminate the pests. Depending on the construction of the building, the doors and windows may be sealed with tape and a plastic sheet, or the structure may be covered with a tarp. The building will remain sealed for 4 to 72 hours depending on the specifics of the job. Warning signs are posted around the building notifying people to keep out.

After the tarp or tape is removed, a professional fumigator will aerate the structure by opening the doors and windows. Fans may also be used to clear out the building. Once the building has been thoroughly aerated, the fumigator is required to measure the level of any fumigant remaining in the living space to ensure it is below the established safe re-entry concentration. Your building should not be cleared for re-occupancy until it is safe to enter. The fumigator will post a notice on your building indicating the day and time for re-entry. Structures can be occupied only when the concentration is 5 parts per million or less (this represents a margin of safety – laboratory animals have been exposed to 100 parts per million for 2 weeks with no adverse effects). Because Vikane is a true gas and not a vapor, aeration is rapid. Recent studies demonstrated that in most structures levels are less than 1 part per million within 6 hours of clearing and have no detectable levels of Vikane within 24 hours after the start of aeration.

Sulfuryl Fluoride is a colorless, odorless gas, so a warning agent is added to the building, which causes watery eyes and a scratchy throat. If you experience these symptoms in a structure that has been recently fumigated, you should leave immediately and call the pest control company to have your building re-tested.

SULFURYL FLUORIDE (POTENTIAL HEALTH RISK FROM OVEREXPOSURE)

Sulfuryl Fluoride is a gas and can potentially enter your body through inhalation. Because it is a gas, it does not stay on dry surfaces; therefore, there is no exposure from touching treated surfaces

Nervous system and respiratory irritation:

Overexposure to high levels of Sulfuryl Fluoride can result in nose and throat irritation and nausea. At high concentrations (such as those used during the fumigation), can cause excess fluid in the lungs, sleepiness, pneumonia, and convulsions. These symptoms would be expected to appear within 8 hours after such as exposure. In the unlikely event you experience these symptoms in a building that has been recently fumigated, you should leave immediately. Consult your physician and call the pest control company to have your building re-tested.

Additional studies:

Sulfuryl Fluoride has not been shown to cause birth defects in pregnant animals exposed under experimental conditions. In addition, current studies have demonstrated there are no mutagenic or genotoxic effects caused by exposure to Sulfuryl Fluoride.

Safety Precautions and Homeowner Preparation

- Discuss the treatment program in advance with your pest control company so you fully understand what will be done and what you need to do.
- Carefully follow the instructions you are given about what items you are to remove from your building.
- If you are interested or concerned, you should ask your pest control company to show the records of how your building was aerated before it was cleared for re-entry.
- You may wish to increase ventilation by opening doors and windows.
- Call DowElanco Customer Information Service at 1-800-352-6776 if you need additional information or have questions concerning the product.

*Trademark of DowElanco



510 Madera Ave
 San Jose, CA 95112
 (408) 993-1900
 Fax (408) 280-2763

Initials _____

AGREEMENT
 627 Cayuga Drive, San Jose

HomeGuard Incorporated is authorized to proceed with the work outlined in items _____ of their termite report no. 141469 for the property located at 627 Cayuga Drive, San Jose for a total sum of \$_____. This amount will be due and payable upon completion of work. It is understood that the contract price does not include the charge of the structural pest control inspection report or re-inspection fees.

HOMEGUARD INCORPORATED AGREES

- To guarantee all repairs completed by this company for one year from the date of completion except for plumbing, grouting, caulking, and resetting of toilets, which will be guaranteed for 30 days.
- To be bound to perform this work for the price quoted in our cost breakdown for a period not to exceed 30 days
- To use reasonable care in the performance of our work but to assume no responsibility for damage to any hidden pipes, wiring, or other facilities or to any, plant life, rain gutters, roofs; nor for damage or dirtying of stucco, plaster, paint, wall paper or other "finish-work" adjacent to areas where work is performed.
- To replace damaged wood members with material which resembles, as closely as possible, the existing wood members with standard grade, readily available wood members.

OWNER OR OWNER'S AGENT AGREES:

- To pay for services rendered upon completion of work. This contract may be canceled at any time by the customer. In the event of such action, customer agrees to pay HomeGuard Incorporated in full for all items already completed, and time and material for all items only partially completed. Time and material is calculated at the rate of ninety-five dollars per hour and the cost of materials plus 15%. The customer also agrees that in the case of cancelation of the contract, to pay all fees for nessasary permits and any associated cost for obtaining permits. In the case of non-payment by owner, reasonable attorney fees and costs of collection shall be paid by the owner whether suit be filed or not.
- To pay for service charge of 1.5 percent per month or portion of any month beyond 30 days after completion.
- Owner grants HomeGuard Incorporated, a security interest in the above described real property to secure payment of the sum for work and inspeciton fee completed.
- If additional damage is discovered by HomeGuard Incorporated, during the performance of work, company agrees to notify owner or agent of the amount of the damage and the cost of additional work to be done. This work will not be performed unless owner agrees.
- If any additional work, plans or engineering is deemed necessary by the local building inspector, said work will not be performed without additional authorization from owner or owner's agent.
- All plumbing repairs bid in this report are for only the specific repair that is identified. Many times when performing plumbing repairs it becomes necessary to repair or replace adjacent plumbing because of the age or fragility of these components. When this happens the owner or agent will be notified and said repairs will require additional cost and authorization.

This job has been bid as if all section one items are being performed. If the owner would like to select individual items, it may require HomeGuard Incorporated to provide a new bid for these items. The minimum service charge is \$225 regardless of the bid on the individual item.

Section 1:

1A	\$450	1B	\$900	1C	\$150	1D	\$1,639	1E	\$200	1F	N/C	1G	\$250
1H	\$300	Total	\$3,889										

Section 2:

2A	Owner	2B	\$100
----	-------	----	-------

Further Insp:

3A	\$475	Total	\$475
----	-------	--------------	--------------

IS UPGRADING OR CHOICE OF LINOLEUM OR TILE DESIRED? Yes___ No___

***If there is no choice, neutral colors will be installed there may be additional charges for special materials chosen**



510 Madera Ave
San Jose, CA 95112
(408) 993-1900
Fax (408) 280-2763

AGREEMENT
627 Cayuga Drive, San Jose

The charge for service that this company subcontracts to another registered company may include the company's charges for arranging and administering such services that are in addition to the direct costs associated with paying the subcontractor. You may accept HomeGuard Incorporated's bid or you may contract directly with another registered company licensed to perform the work.

If you choose to contract directly with another registered company, HomeGuard Incorporated will not in any way be responsible for any act or omission in the performance of work that you directly contract with another to perform.

NOTICE TO OWNER

Under the California Mechanics Lien law, any structural pest control operator who contracts to do work for you, any contractor, subcontractor, laborer, supplier or other person who helps to improve your property, but is not paid for work or supplies, has the right to enforce a claim against your property. This means that after a court hearing, your property could be sold by a court officer and the proceeds of the sale used to satisfy the indebtedness. This can happen even if you have paid your contractor in full if the subcontractor, laborers of suppliers remain unpaid. To preserve their right to file a claim of lien against your property, certain claimants such as subcontractors and material suppliers are required to provide you with a document intitled "Preliminary Notice". General contractors and laborers for wages do not have to provide this notice. A Preliminary Notice is not a lien against your property. Its purpose is to notify you of persons who may have a right to file a lein against your property if they are not paid. You can protect yourself from such claim by requiring your contractor to supply you with a payment and performance bond prior to commencing any work of improvement and/or requiring your contractor to provide you with an unconditional lien release signed by each material supplier, subcontractor, and laborer involved in that project phase before making payment on the completed phase of the project.

OWNER OR OWNERS AGENT DATE BY: _____, HomeGuard Incorporated

X _____ **ESCROW OFFICER: _____**

Print Name _____ **ESCROW PHONE NO: _____**

X _____ **ESCROW CO/NO: _____**

Print Name _____

Name of person providing access _____ Phone Number _____

THIS AGREEMENT IS 2 PAGES
PLEASE BE SURE TO SIGN AND SEND BOTH PAGES



510 Madera Ave
San Jose, CA 95112
(408) 993-1900
Fax (408) 993-1944

Invoice

Invoice Date: **4/30/2010**

Invoice No: **SJ272685T**

Bill To:	
Robin Primeau Old Republic Title 2110 S. Bascom Avenue #102 Campbell Ca 95008	
Property Information:	
Address:	627 Cayuga Drive San Jose CA, 95123
Report No.	141469TPR
Escrow#:	
Billing Information:	
Inspection: 4/29/2010 Limited	\$245.00
Notice of Completion:	\$0.00
Other:	\$0.00
Total Due:	\$245.00

DUE UPON RECEIPT
Please remit to 510 Madera Ave., San Jose, CA 95112
There is a \$25 fee for all returned checks